



Project Description:

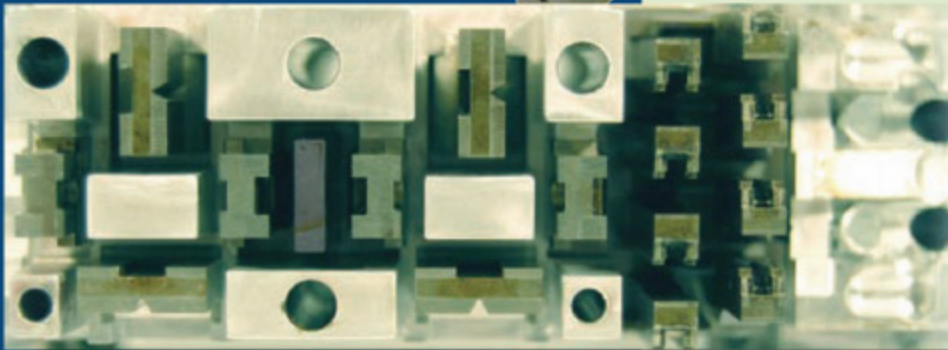
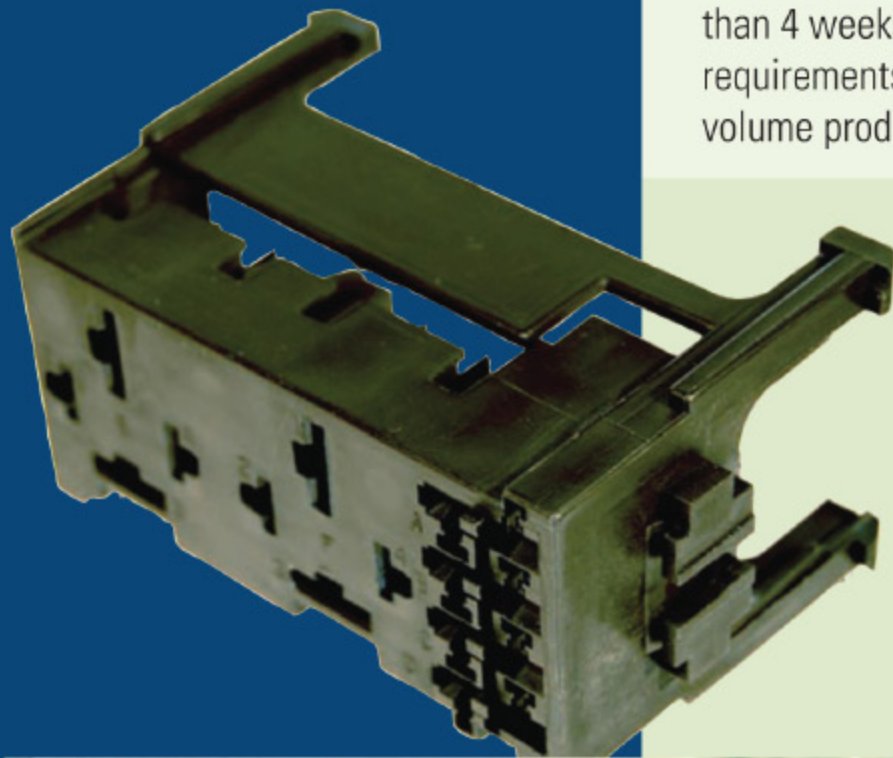
Base Relay Diode

Customer Challenge

Initially a prototype project with an aggressive product to market requirement.

PTI Solution

PTI designed and constructed a very cost effective hybrid tool in less than 4 weeks. This tool not only met with the customer's prototype requirements, but was chosen and continues to provide the entire, low volume production needs.

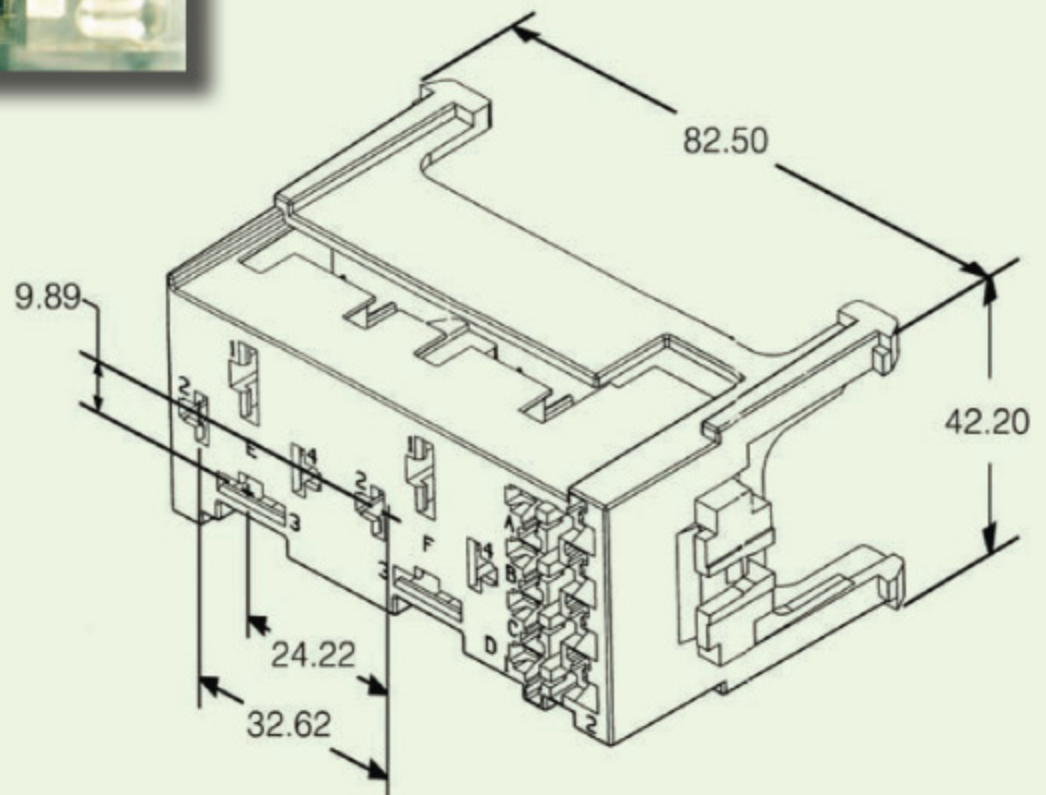


Project Details:

Material:	PA66 GF HS Blk
Tool Type:	Hybrid
Delivery:	4 Weeks
Tool Life (Guarantee) :	10,000 pcs.

Performance:

Critical Dimension:	24.22mm
Tolerance:	+/- 0.13mm
Initial Capability (CPK) :	2.99
On-Going Capability (CPK):	2.12
Parts Molded to Date:	44,964 pcs.



PTI Engineered Plastics

50900 Corporate Drive
Macomb, Michigan 48044
Phone: 586.263.5100
Fax: 586.263.6680
Web: www.teamPTI.com